

TROUBLESHOOTING & MAINTENANCE



For more information contact...

WOODFORD MANUFACTURING COMPANY

2121 Waynoka Road, Colorado Springs, Colorado 80915 • Phone: (800) 621-6032 • Fax: (800) 765-4115

To view our complete product line visit: www.woodfordmfg.com or email: sales@woodfordmfg.com

A Division of WCM Industries, Inc.

Model 65 & 67 Freezeless Wall Hydrant

Rev 06/15 Form No. TM65.103



Fig 1



Fig 2



Fig 3

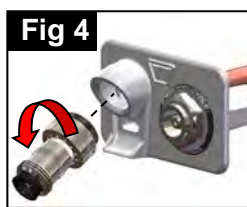


Fig 4

Drain Hole Air Vent



Fig 5

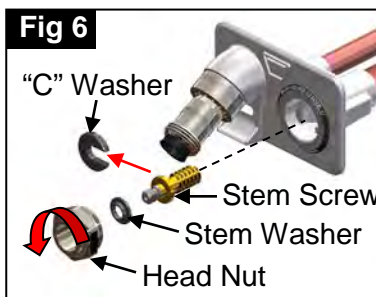


Fig 6

"C" Washer
Stem Screw
Stem Washer
Head Nut

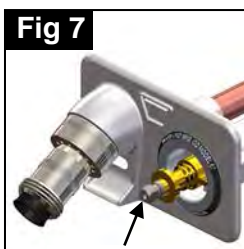


Fig 7

Stem Screw

For replacement
parts order
Repair Kit
RK-65

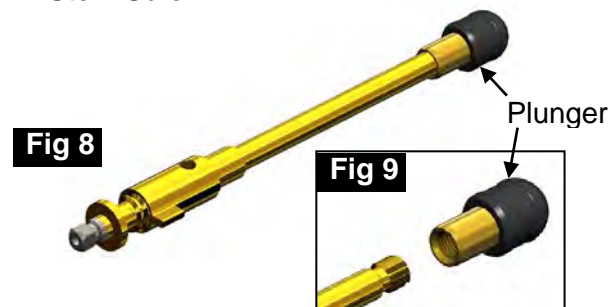


Fig 8



Fig 9

Plunger

- **Water leaks from drain hole (Fig 1) and/or air vent in Stem Screw when the hydrant is on.**
Plunger (50250) is damaged and needs to be replaced. See **Operating Rod Removal**
 - **Hydrant will not shut off. Water leaks out nozzle (Fig 2) and/or drain hole when hydrant is off.**
If a new installation debris or other obstruction may be prohibiting the plunger from seating properly. Remove rod assembly, inspect plunger for damage and flush the casing before reassembling. See **Operating Rod Removal**
 - **Hydrant does not drain when it is shut off.**
Drain hole cavity in casting and/or air vent hole in Stem Screw (**Fig 3**) may be blocked with insect nest or other debris. Use a stiff wire to clear any obstructions.
 - **Hydrant does not flow water when it is on.**
The Vacuum Breaker may be obstructed or damaged. Remove the Vacuum Breaker (**Fig 4**) and check to see if the hydrant flows water with the Vacuum Breaker removed. Inspect the Vacuum Breaker for obstruction or damage. If the hydrant still does not flow water with the Vacuum Breaker removed, remove the Operating Rod Assembly and turn on the water supply to flush the casing. See **Operating Rod Removal**
- Operating Rod Removal:**
1. Shut off water supply.
 2. Turn the Stem Screw counterclockwise to the full open position. (**Fig 5**)
 3. Remove the Head Nut and Stem Screw. (**Fig 6**)
 4. Remove the "C" Washer from the stem screw. (**Fig 6**)
 5. Thread the stem screw back in the operating rod one or two turns. (**Fig 7**) Use a screwdriver or small pry bar to pry under the ledge of the stem screw, against the face of the hydrant, to pull the rod out of the hydrant. A damaged plunger may require a significant force to pull the rod free. (**Fig 8**)
 6. Once the rod is out of the hydrant, inspect and/or replace the plunger, which is threaded on the rod. (**Fig 8 & 9**) If the plunger rubber has come off the insert and is stuck inside the hydrant, a special plunger removal tool is available on loan from Woodford.